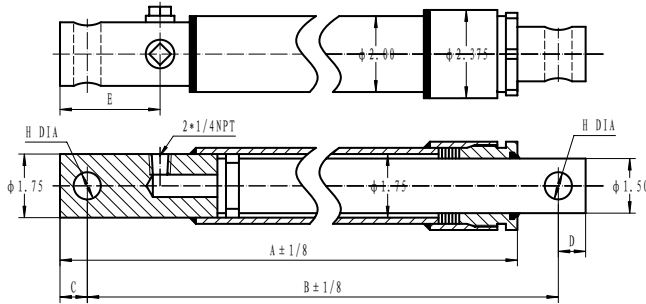


Hercules Snow Plow Cylinders

SNOW PLOW

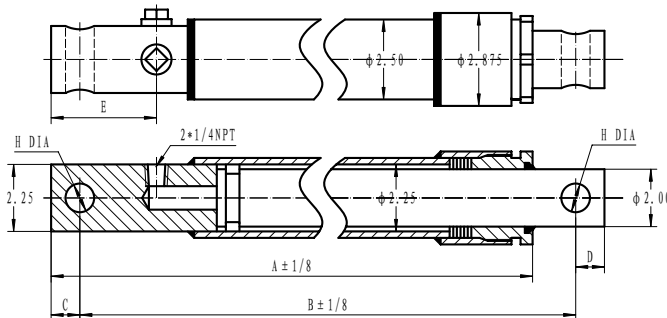
2500 PSI SINGLE ACTING CYLINDERS



FEATURES:

- Ductile iron piston.
- Ductile iron gland, drilled oil passages.
- Honed steel tube, precision finished for extended seal life.
- High tensile, hard chrome plated rod.
- Tube Seal: O-ring
- All Seals: Manufactured to US specifications.

PART NUMBER	DESCRIPTION	A	B	C & D	E	H	WT LBS.	LIST PRICE
HSPM-1506-0625	MYER 1.5" X 6"	11-7/8	12.00	11/16	2.00	5/8	12	\$93.71
HSPM-1510-0625	MYER 1.5" X 10"	15-7/8	16-1/4	11/16	2.00	5/8	14	106.65
HSPM-1512-0625	MYER 1.5" X 12"	17-7/8	18.00	11/16	2.00	5/8	15	112.76
HSPW-1506-0750	WESTERN 1.5" X 6"	12-5/8	13.00	11/16	2-3/4	3/4	12	93.71
HSPW-1508-0750	WESTERN 1.5" X 8"	14-5/8	15-1/4	11/16	2-3/4	3/4	13	100.63
HSPW-1510-0750	WESTERN 1.5" X 10" X 3/4"	16-5/8	17-1/4	11/16	2-3/4	3/4	14	106.65
HSPW-1510-1000	WESTERN 1.5" X 10" X 1"	16-5/8	17-1/2	11/16	2-3/4	1.00	14	106.65
HSPA-1510-0750	ARCTIC 1.5" X 10"	16-5/8	17.00	3/4	2-3/4	3/4	14	106.65
HSPA-1512-0750	ARCTIC 1.5" X 12"	18-5/8	19.00	3/4	2-3/4	3/4	15	44.28
HSPF-1512-1000	FISHER 1.5" X 12"	18-7/16	19-3/8	3/4	2-5/8	1.00	15	112.76
HSPF-1510-1000	FISHER & DIAMOND 1.5" X 10"	16-3/8	17-1/4	3/4	2-11/16	1.00	14	106.65
SEAL KIT NUMBER	DESCRIPTION	LIST PRICE						
HSP-SP150K	1-1/2" ROD CYLINDER	\$12.22						
HSP-SP200K	2" ROD CYLINDER	13.40						



PART NUMBER	DESCRIPTION	A	B	C & D	E	H	WT LBS.	LIST PRICE
HSPM-2012-0625	MYER 2.0" X 12"	17-1/4	18.00	3/4	2-3/16	5/8	18	\$142.99
HSPW-2016-1000	WESTERN & DIAMOND 2.0" X 16"	22-5/8	23-5/8	11/16	2-3/4	1.00	21	165.76
HSPW-2006-0750	WESTERN 2.0" X 6"	12-5/8	13-3/16	3/4	2-3/4	3/4	13	121.58
HSPW-2010-1000	WESTERN 2.0" X 10"	16-5/8	17-1/4	11/16	2-3/4	1.00	16	138.86
HSPF-2016-125	FISHER 2.0" X 16"	22-1/2	23-1/4	7/8	2-3/4	1-1/4	20	165.76

Call: 800.777.5617
Online: www.HerculesUS.com

Email: sales@herculesus.com
Fax: 800.759.6391

Order today!