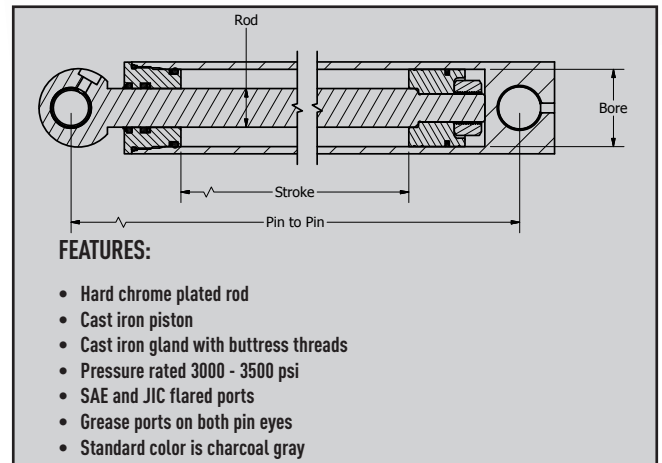


# Bobcat Replacement Cylinders

## Benefits include:

- Up to 50% off OEM price!
- 18 month warranty\* vs OEM 12 month warranty
- Made in the USA
- In-stock, same day shipment
- Reduce customer downtime by replacing versus repairing cylinders
- Rod seal to Freudenberg-NOK AU30000 high performance material rated for 250°F and up to 7250psi; resulting in extended seal life.
- Cast iron gland with buttress threads versus aluminum OEM gland means less galled or damaged threads
- Induction hardened chrome rod which is less susceptible to bending
- In-stock Hercules Bobcat seal kits available



CYLINDER #	APPLICATION	MODELS	ROD	BORE	STROKE	PIN TO PIN	LIST PRICE
BCK-7117174	Bucket Tilt	773, S150, S160, S175, S185, S205, T180, T190	1-3/8	2-3/4	13-1/8	21-1/4	\$ 674.00
BCK-7208419	Bucket Tilt	S220, S250, S300, S330, T250, T300, T320	1-1/2	3	15	24	670.00
BCK-7191555	Boom	E32, E32i, E35, E35i	1-3/4	3	26-3/8	37-5/8	857.00
BCK-7117667	Lift	773, S175, S185, S205, T190	1-1/2	2-1/2	23-13/16	33-3/8	805.00
BCK-7106456 (6817310)	Lift	S250, S300, T300, A300	1-5/8	3	25-1/2	38-3/8	882.00
BCK-7175388 (6810611)	Attachment	S100, S130, S150, S160, S175, S185, S205, 220, S250, S300, S330, T110, T140, T180, T190, T200, T250, T300, T320, 773	1	1-3/4	6-3/4	26-3/8	465.00
BCK-7235736	Bucket Tilt - Right	S630, S650, S750, S770, T630, T650, T750, T770	1-1/2	3	13-5/8	23-1/2	755.00
BCK-7235738	Bucket Tilt - Left	S630, S650, S750, S770, T630, T650, T750, T770	1-1/2	3	13-5/8	23-1/2	755.00



SEAL KIT #	ROD	BORE	LIST PRICE
BCK-6806330	1-3/8	2-3/4	\$ 31.30
BCK-7135547	1-1/2	3	34.32
BCK-7197632	1-3/4	3	47.44
BCK-7135559	1-1/2	2-1/2	34.33
BCK-7137939	1-5/8	3	34.22
BCK-7138014	1	1 3/4	19.11
BCK-7225491	1-1/2	3	29.76
BCK-7225491	1-1/2	3	29.76

Rev 04/02/2018

