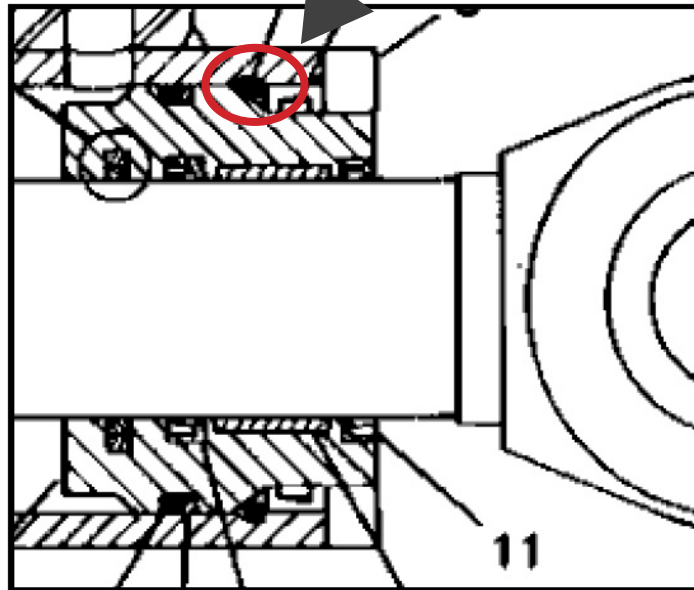
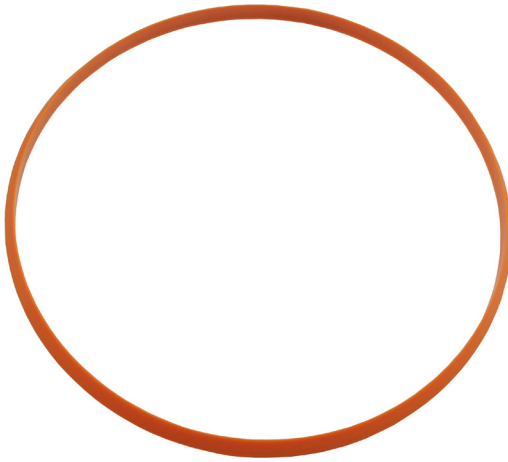


JOHN DEERE GLAND REMOVAL TOOLS



To prevent damaging the piston seal, place ring in the retainer ring groove when removing and/or installing the piston into the barrel.

PART NUMBER	BORE DIAMETER	CROSS-SECTION	WIDTH	LIST PRICE
JD-H174490	45 mm	1.50 mm	4.64 mm	\$4.53
JD-H180788	50 mm	1.50 mm	4.64 mm	\$4.69
JD-50A-IT	50 mm	1.50 mm	4.64 mm	\$4.69
JD-H153758	53 mm	1.60 mm	5.39 mm	\$4.87
JD-R88748	56 mm	1.60 mm	5.39 mm	\$5.05
JD-R91727	63 mm	1.60 mm	5.39 mm	\$7.59
JD-R91728	70 mm	1.60 mm	4.83 mm	\$8.55
JD-R91729	80 mm	2.00 mm	6.00 mm	\$9.14
JD-R91730	90 mm	2.00 mm	6.00 mm	\$10.06
JD-R91731	100 mm	2.00 mm	6.00 mm	\$11.59
JD-H212793	110 mm	2.00 mm	6.00 mm	\$12.65
JD-R91624	115 mm	2.00 mm	6.75 mm	\$15.12
JD-H170543	125 mm	3.00 mm	10.10 mm	\$14.11
JD-6.00X0.40-IT	6.00 in	0.125 in	0.400 in	\$24.73

Rev 03/29/2018

Call: 800.777.5617
Online: www.HerculesUS.com

Email: sales@herculesus.com
Fax: 800.759.6391

Order today!